

55" ANTONIO CAST IRON ROLL TOP TUB

Cat. No.
CTRN54




L: 54"
W: 30-1/8"
H: 24" (from floor to top of tub)
19-1/4" (from bottom of tub to top of tub)

The following is recommended for CTRN54 tubs without faucet holes:

- Faucet: part #4602, 4604 or 7082
- Rigid, freestanding supplies: Part #4502
- Leg tub drain: part #5599

Gallon Capacity:	36
Shipping Weight:	475 lbs.
Empty Weight:	247 lbs.
Filled Weight:	547 lbs.



WARNING: This product can expose you to chemicals, including lead which is known to the State of California to cause cancer or birth defects or other reproductive harm, for more information, go to www.p65warnings.ca.gov

Features:

- ▶ Inside finish is white enamel
- ▶ Cast Iron ball and claw feet
- ▶ Tub exterior is white (epoxy)
- ▶ No faucet holes
- ▶ Non-skid strips
- ▶ Continuous rolled rim
- ▶ Feet are attached and leveled before shipment
- ▶ Tub is thoroughly inspected before shipment

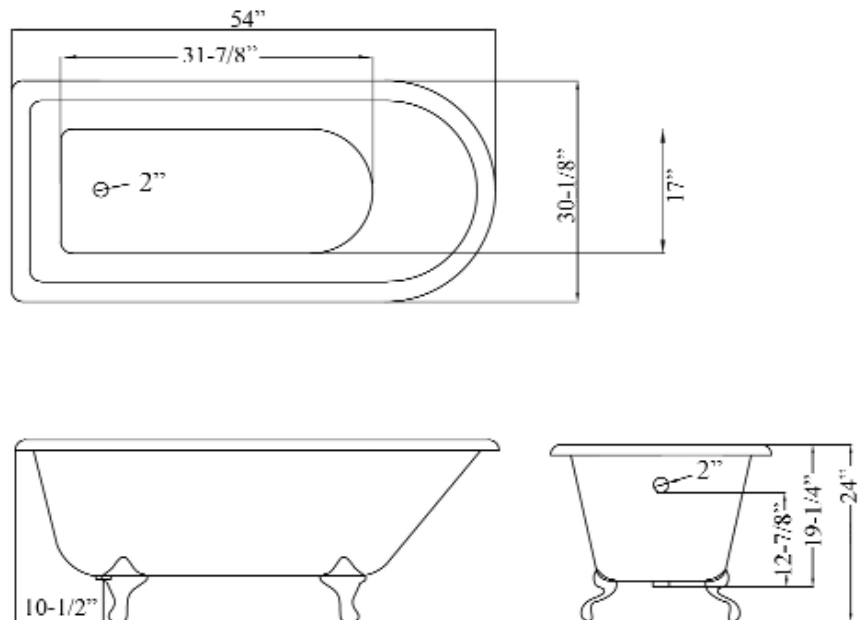
Foot Finishes:

- UF Unfinished
- BL Painted Black
- BQ Painted Bisque
- PB Polished Brass



- CP Polished Chrome
- WH Painted White
- PN Polished Nickel
- SN Brushed Nickel
- ORB Oil Rubbed Bronze

Custom Colors Available (inside of tub is always white enamel):
Painted bathtubs are considered "special order" and are not returnable
\$160 Bisque or Black \$250 Designer Color

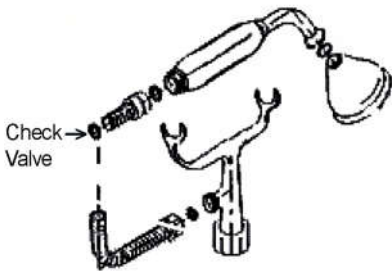


TUB WALL MOUNT FILLER WITH HANDSHOWER

Cat. No.
4602



Adjustable Swivel Mounts



WARNING: This product can expose you to chemicals, including lead which is known to the State of California to cause cancer or birth defects or other reproductive harm, for more information, go to www.p65warnings.ca.gov

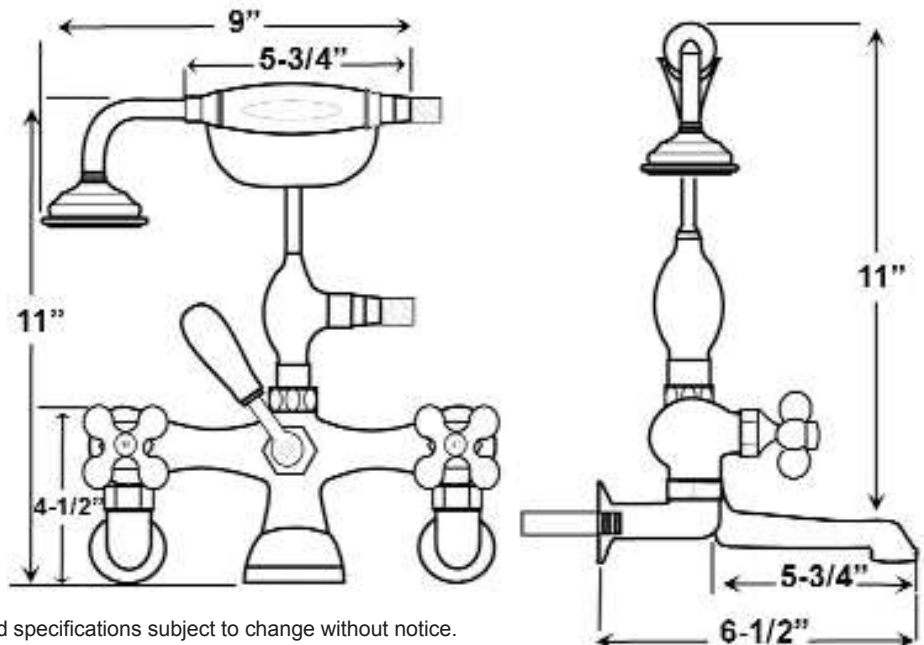
Features:

- ▶ Brass construction
- ▶ Elephant spout length is 5-³/₄"
- ▶ Flow rate is 3.7 GPM
- ▶ Available with porcelain lever (**4602-PL**) or metal cross handles (**4602-MC**)
- ▶ Telephone handshower with cradle and hose
- ▶ Handshower flow rate 2.5 GPM
- ▶ Handshower includes backflow preventer
- ▶ Swivel mounts adjust centers from 3" to 12"
- ▶ Faucet centers are 7" without swivel mounts
- ▶ For tub wall mount installation
- ▶ ¼ turn ceramic disc cartridges
- ▶ IAPMO approved
- ▶ To be used with double offset bath supplies, **Part #5576**
- ▶ This faucet can also be used with rigid freestanding supplies, **Part #4502** with adjustable swivel mounts removed



Finishes:

- | | |
|------------------------------|---------------------------|
| BP Polished Brass | SN Brushed Nickel |
| CP Polished Chrome | PN Polished Nickel |
| ORB Oil Rubbed Bronze | |



Dimensions are nominal and may vary. Dimensions and specifications subject to change without notice.

FREESTANDING BATH SUPPLIES

Cat. No.
4502-PL



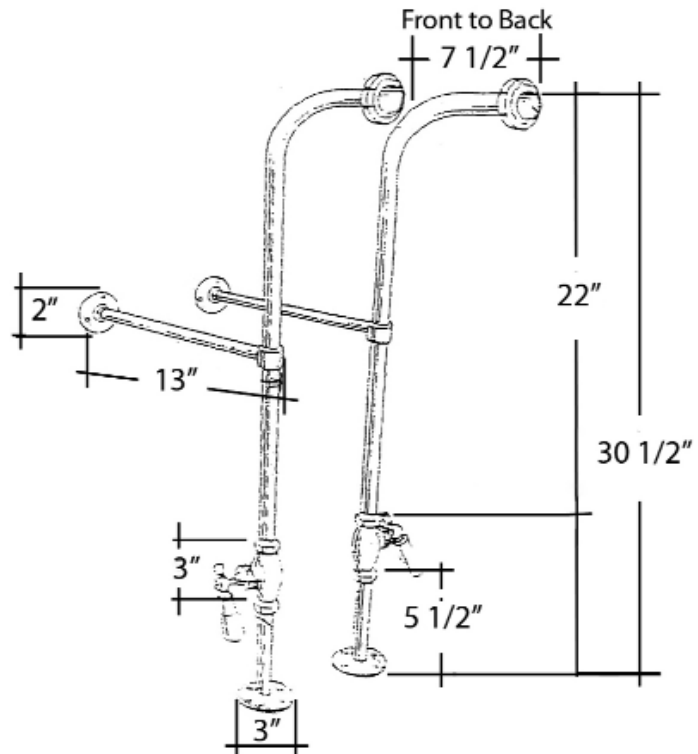
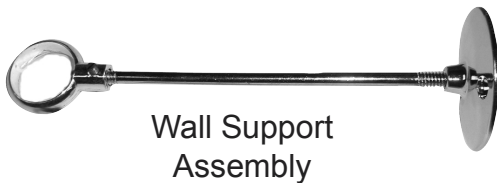
Features:

- ▶ 5" Shaft included
 - ▶ Stops included
 - ▶ 1/2" Pipe thread inlet
 - ▶ 3/4" Flare outlet
 - ▶ Wall support assemblies included
 - ▶ Porcelain lever handles
 - ▶ IAPMO approved
 - ▶ Available in 5 finishes
 - ▶ Should not be used with leg tubs that have factory drilled holes.
- ▶ 0.800" Outer diameter
 - ▶ 0.595" Inner diameter
 - ▶ 0.090" Thickness of wall

Finishes:

- CP Polished Chrome
- PN Polished Nickel
- BP Polished Brass
- ORB Oil Rubbed Bronze
- SN Brushed Nickel

H: 30" (30-1/2" with nut)



WARNING: This product can expose you to chemicals, including lead which is known to the State of California to cause cancer or birth defects or other reproductive harm, for more information, go to www.p65warnings.ca.gov

Use on concrete floors requires special installation. We recommend using a plumbing professional.

Dimensions are nominal and may vary. Dimensions and specifications subject to change without notice.

LEG TUB DRAIN

Cat. No.
5599



Escutcheon Height: 1-1/4"

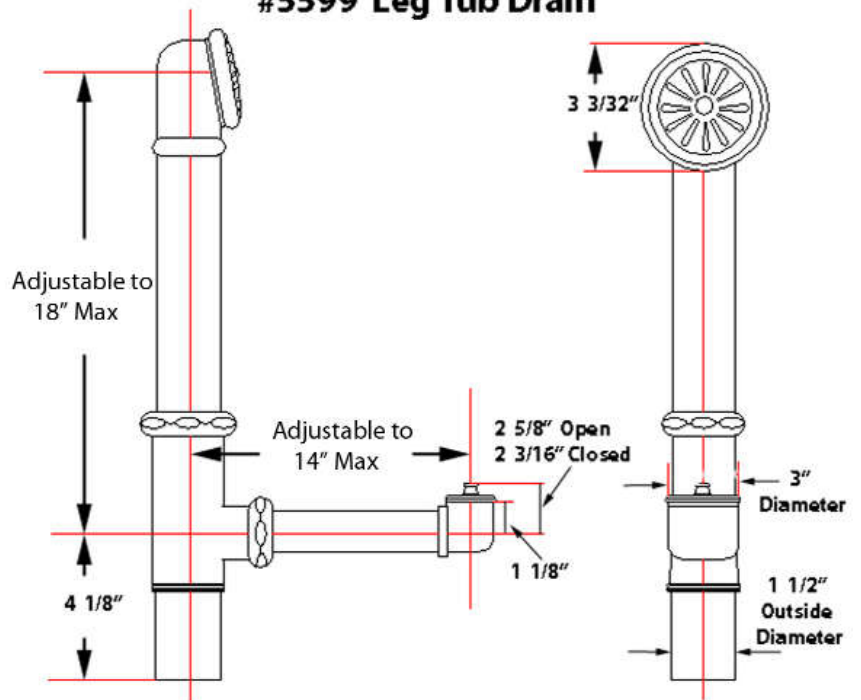
Features:

- ▶ Twist-and-lift stopper
- ▶ Includes deep escutcheon
- ▶ Height adjustable 15"-18"
- ▶ Depth adjustable 12"-14"
- ▶ Includes deep escutcheon
- ▶ IAPMO approved
- ▶ Available in 5 Finishes

Finishes:

- CP** Polished Chrome
- BP** Polished Brass
- SN** Brushed Nickel
- PN** Polished Nickel
- ORB** Oil Rubbed Bronze

#5599 Leg Tub Drain



WARNING: This product can expose you to chemicals, including lead which is known to the State of California to cause cancer or birth defects or other reproductive harm, for more information, go to www.p65warnings.ca.gov

Dimensions and specifications subject to change without notice.

08/28/2018

P 847•244•1234

www.barclayproducts.com