

# 61" COLUMBUS CAST IRON DOUBLE ROLL TOP TUB

Cat. No.  
CTDRN61



L: 60"  
W: 30-1/8"  
H: 22-1/2" (from floor to top of tub)  
17-3/8" (from bottom of tub to top of tub)

Water depth: 17-3/8" to top of tub  
Water depth: 13-5/8" to overflow

**The following is recommended for CTDRN tubs without faucet holes:**

- Faucet: part #4602, 4604 or 7082
- Rigid, freestanding supplies: part #4502
- Leg tub drain: part #5599

Gallon Capacity: 60  
Shipping Weight: 480 lbs.  
Empty Weight: 300 lbs.  
Filled Weight: 801 lbs.



**WARNING:** This product can expose you to chemicals, including lead which is known to the State of California to cause cancer or birth defects or other reproductive harm, for more information, go to [www.p65warnings.ca.gov](http://www.p65warnings.ca.gov)

## Features:

- ▶ Inside finish is white enamel
- ▶ Cast Iron imperial feet
- ▶ Tub exterior is white (expoxy)
- ▶ Pre-drilled overflow hole
- ▶ No faucet holes
- ▶ Continuous rolled rim
- ▶ Feet are attached and leveled before shipment
- ▶ Tub is thoroughly inspected before shipment

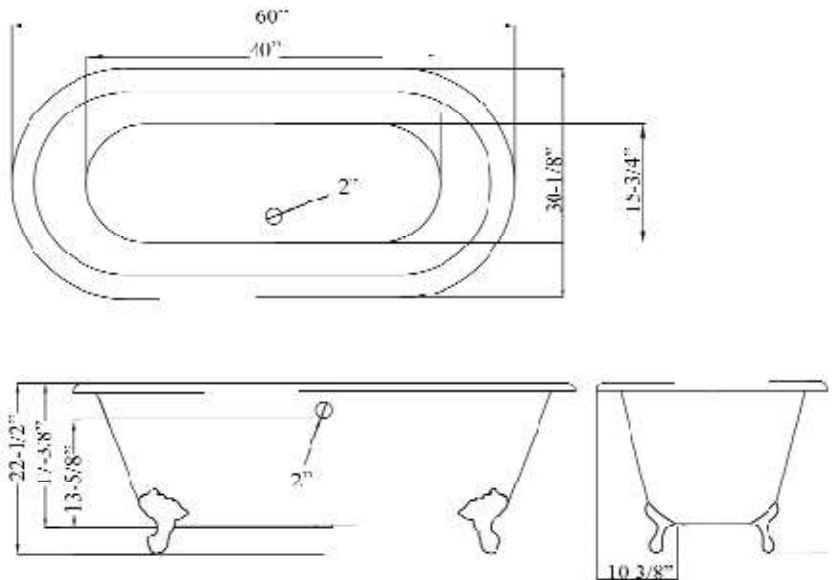
### Foot Finishes:

- UF Unfinished
- BL Painted Black
- BQ Painted Bisque
- PB Polished Brass



- CP Polished Chrome
- WH Painted White
- PN Polished Nickel
- SN Brushed Nickel
- ORB Oil Rubbed Bronze

**Custom Colors Available** (inside of tub is always white enamel):  
Painted bathtubs are considered "special order" and are not returnable  
\$160 Bisque or Black \$250 Designer Color

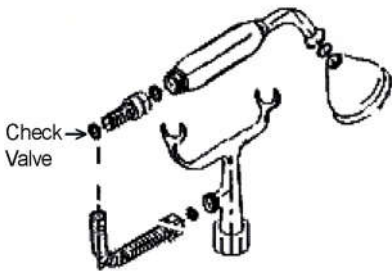


# TUB WALL MOUNT FILLER WITH HANDSHOWER

Cat. No.  
4602



Adjustable Swivel Mounts



**WARNING:** This product can expose you to chemicals, including lead which is known to the State of California to cause cancer or birth defects or other reproductive harm, for more information, go to [www.p65warnings.ca.gov](http://www.p65warnings.ca.gov)

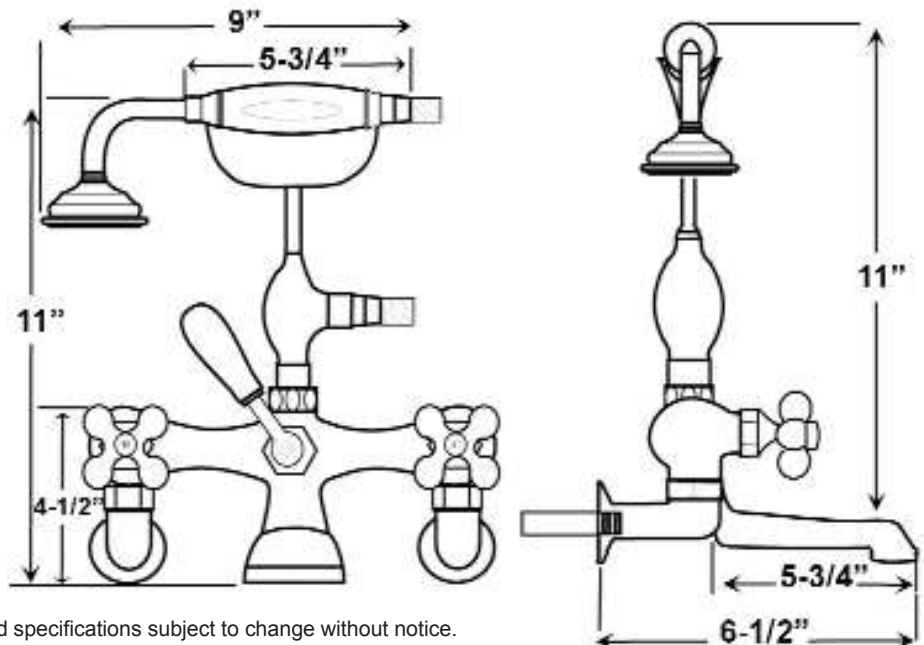
## Features:

- ▶ Brass construction
- ▶ Elephant spout length is 5-<sup>3</sup>/<sub>4</sub>"
- ▶ Flow rate is 3.7 GPM
- ▶ Available with porcelain lever (**4602-PL**) or metal cross handles (**4602-MC**)
- ▶ Telephone handshower with cradle and hose
- ▶ Handshower flow rate 2.5 GPM
- ▶ Handshower includes backflow preventer
- ▶ Swivel mounts adjust centers from 3" to 12"
- ▶ Faucet centers are 7" without swivel mounts
- ▶ For tub wall mount installation
- ▶ ¼ turn ceramic disc cartridges
- ▶ IAPMO approved
- ▶ To be used with double offset bath supplies, **Part #5576**
- ▶ This faucet can also be used with rigid freestanding supplies, **Part #4502** with adjustable swivel mounts removed



## Finishes:

- |                              |                           |
|------------------------------|---------------------------|
| <b>BP</b> Polished Brass     | <b>SN</b> Brushed Nickel  |
| <b>CP</b> Polished Chrome    | <b>PN</b> Polished Nickel |
| <b>ORB</b> Oil Rubbed Bronze |                           |



Dimensions are nominal and may vary. Dimensions and specifications subject to change without notice.

# FREESTANDING BATH SUPPLIES

Cat. No.  
4502-PL



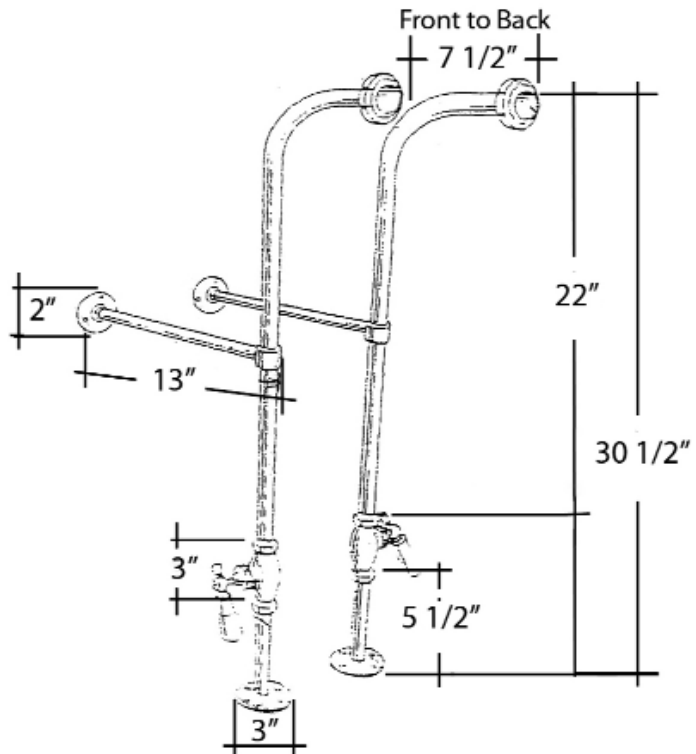
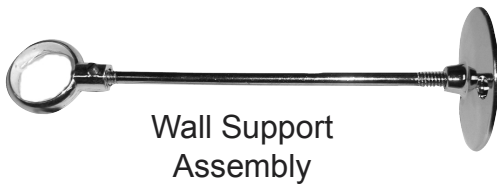
## Features:

- ▶ 5" Shaft included
- ▶ Stops included
- ▶ 1/2" Pipe thread inlet
- ▶ 3/4" Flare outlet
- ▶ Wall support assemblies included
- ▶ Porcelain lever handles
- ▶ IAPMO approved
- ▶ Available in 5 finishes
- ▶ Should not be used with leg tubs that have factory drilled holes.

## Finishes:

- CP Polished Chrome
- PN Polished Nickel
- BP Polished Brass
- ORB Oil Rubbed Bronze
- SN Brushed Nickel

H: 30" (30-1/2" with nut)



WARNING: This product can expose you to chemicals, including lead which is known to the State of California to cause cancer or birth defects or other reproductive harm, for more information, go to [www.p65warnings.ca.gov](http://www.p65warnings.ca.gov)

**Use on concrete floors requires special installation. We recommend using a plumbing professional.**

Dimensions are nominal and may vary. Dimensions and specifications subject to change without notice.

# LEG TUB DRAIN

Cat. No.  
5599



Escutcheon Height: 1-1/4"

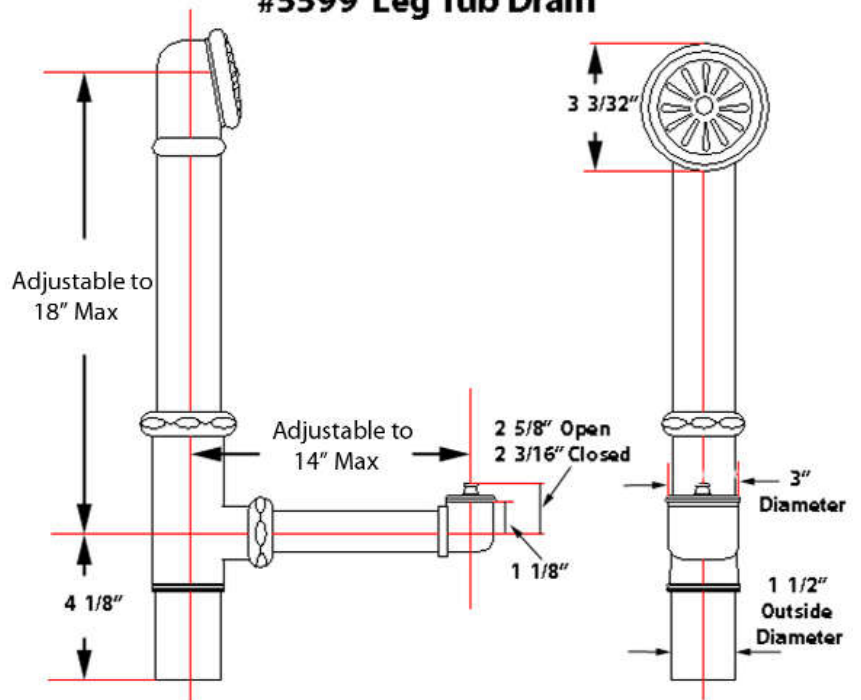
## Features:

- ▶ Twist-and-lift stopper
- ▶ Includes deep escutcheon
- ▶ Height adjustable 15"-18"
- ▶ Depth adjustable 12"-14"
- ▶ Includes deep escutcheon
- ▶ IAPMO approved
- ▶ Available in 5 Finishes

## Finishes:

- CP Polished Chrome
- BP Polished Brass
- SN Brushed Nickel
- PN Polished Nickel
- ORB Oil Rubbed Bronze

## #5599 Leg Tub Drain



**WARNING:** This product can expose you to chemicals, including lead which is known to the State of California to cause cancer or birth defects or other reproductive harm, for more information, go to [www.p65warnings.ca.gov](http://www.p65warnings.ca.gov)

Dimensions and specifications subject to change without notice.

08/28/2018

P 847•244•1234

[www.barclayproducts.com](http://www.barclayproducts.com)