

# 60" ESTELLE ACRYLIC SLIPPER TUB

Cat. No.  
ATS60



L: 60"  
W: 30"  
H: 21" (from floor) short end  
31" (from floor) tall end

Water Depth: 11-1/2" to OF

## Features:

- ▶ Inside finish is either white or bisque to match outside color
- ▶ Pre-drilled overflow hole
- ▶ No faucet holes with flat rim
- ▶ Outside is textured fiberglass reinforced polyester coated with two-part epoxy
- ▶ Aluminum ball and claw feet
- ▶ Feet are attached and leveled before shipment
- ▶ Tub is thoroughly inspected before shipment



## Tub Colors

WH White BQ Bisque

## Foot Finishes

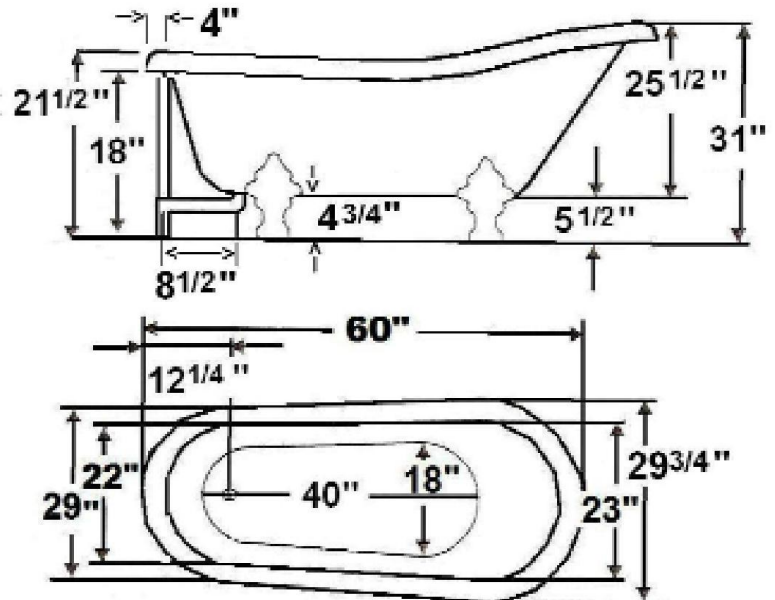
<b>BQ</b> Bisque	<b>BN</b> Brushed Nickel
<b>BL</b> Black	<b>ORB</b> Oil Rubbed Bronze
<b>PB</b> Polished Brass	<b>PN</b> Polished Nickel
<b>CP</b> Polished Chrome	<b>WH</b> White

**Custom Colors Available** (inside of tub is always white enamel):  
Painted bathtubs are considered "special order" and are not returnable  
\$160 Bisque or Black \$250 Designer Color

### The following is recommended for ATS60 slipper tubs:

- Faucets: part #4602, 7393 or 7410
- Freestanding Bath Supplies: #4502-PL
- Leg tub drain: part #5599

Gallon Capacity: 33  
Shipping Weight: 120 lbs.  
Empty Weight: 62 lbs.  
Filled Weight: 338 lbs.



Dimensions of fixture are nominal and specifications subject to change without notice.

# TUB FILLER WITH DIVERTER, HANDSHOWER SHOWERHEAD & RING

Cat. No.

4063



## Features:

- ▶ Elephant spout has flow rate of 3.7 GPM
- ▶ Telephone style handshower with cradle and 59" hose
- ▶ Backflow preventor in handshower
- ▶ Sunflower showerhead has flow rate of 2.44 GPM
- ▶ Includes 62" riser and rectangular shower rod
- ▶ 6" Elbow mounts included
- ▶ ¼ Turn ceramic disc cartridges
- ▶ 7" Centers for deck mounting installation on acrylic or cast iron tubs
- ▶ Flow rate for handshower is 2.5 GPM
- ▶ Available with porcelain lever (**4063-PL**) or metal cross (**4063-MC**) handles
- ▶ Includes wall support **4195WS**
- ▶ Can be used with freestanding supplies (**#4502-PL**) or straight bath supplies (**#5577**) depending on application

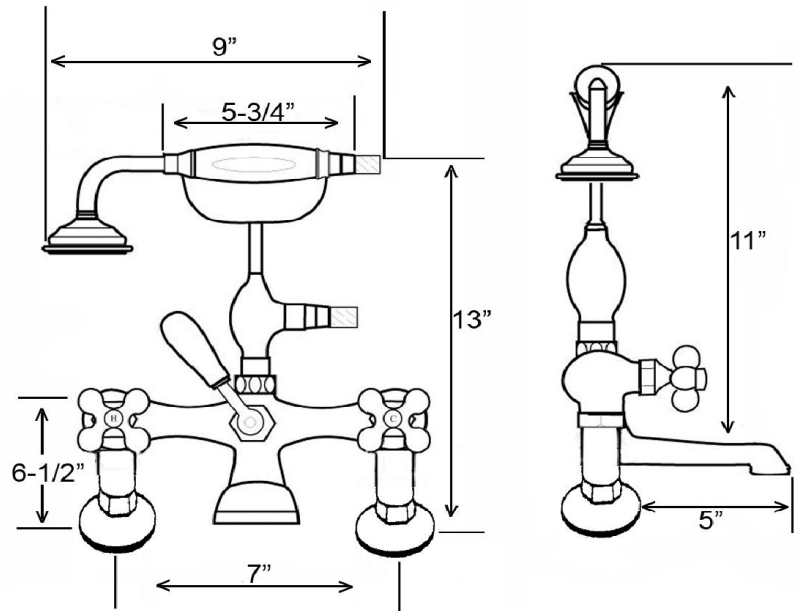
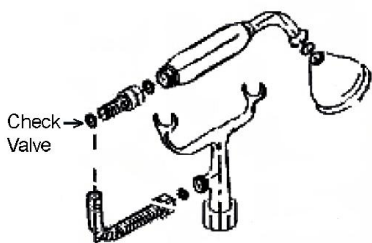
## Finishes:

**BP** Polished Brass  
**CP** Polished Chrome  
**PN** Polished Nickel

**SN** Brushed Nickel  
**ORB** Oil Rubbed Bronze



Shower Rod: 48"W x 24"D  
Wall Support: 10"  
Ceiling Support: 30"  
Spout Length: 5"



Dimensions are nominal and may vary. Dimensions and specifications subject to change without notice.

# FREESTANDING BATH SUPPLIES

Cat. No.  
4502-PL



## Features:

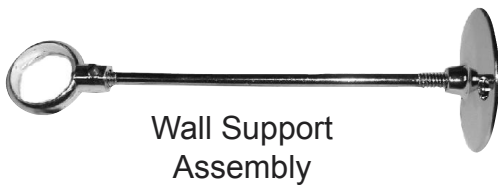
- ▶ 5" Shaft included
- ▶ Stops included
- ▶ 1/2" Pipe thread inlet
- ▶ 3/4" Flare outlet
- ▶ Wall support assemblies included
- ▶ Porcelain lever handles
- ▶ 0.800" Outer diameter
- ▶ 0.595" Inner diameter
- ▶ 0.090" Thickness of wall
- ▶ Available in 5 finishes

## Finishes:

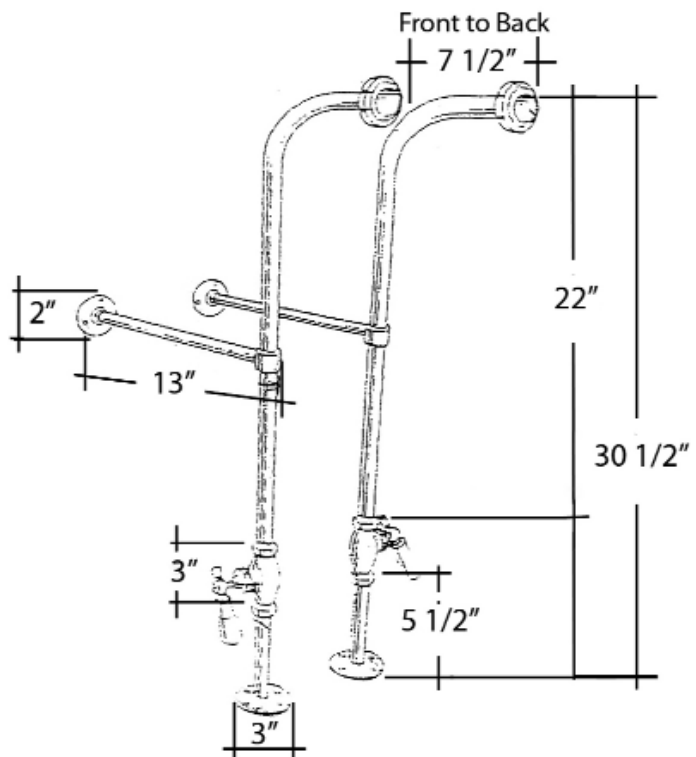
<b>CP</b>	Polished Chrome	<b>PN</b>	Polished Nickel
<b>BP</b>	Polished Brass	<b>ORB</b>	Oil Rubbed Bronze
<b>SN</b>	Brushed Nickel		

H: 30" (30 1/2" with nut)

OD: 1/2"



Wall Support  
Assembly



**Use on concrete floors requires special installation. We recommend using a plumbing professional.**

Dimensions are nominal and may vary. Dimensions and specifications subject to change without notice.

# LEG TUB DRAIN

Cat. No.  
5599



Escutcheon Height: 1-1/4"

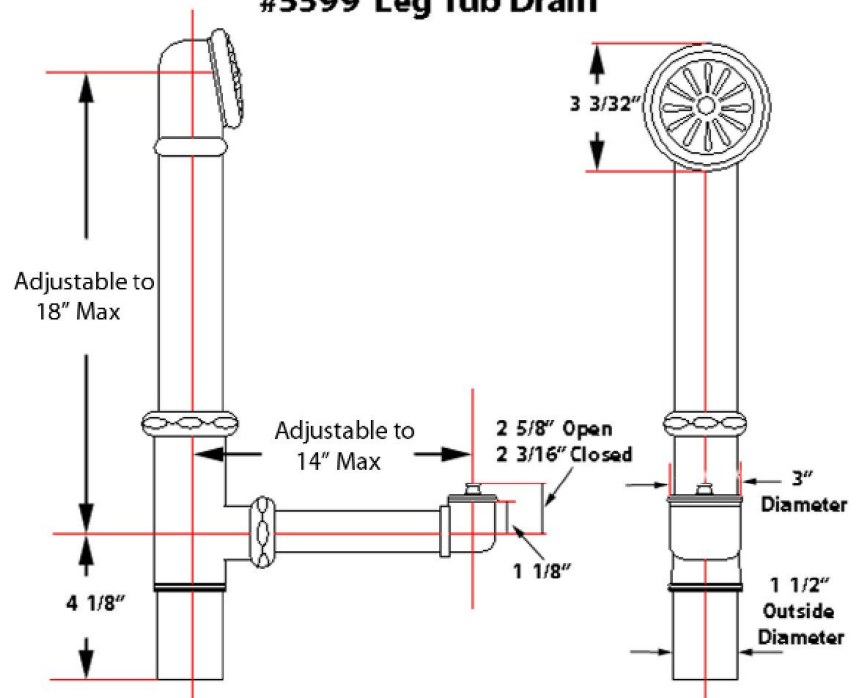
## Features:

- ▶ Twist-and-lift stopper
- ▶ Includes deep escutcheon
- ▶ Height adjustable 15"-18"
- ▶ Depth adjustable 12"-14"
- ▶ Includes deep escutcheon
- ▶ Available in 5 Finishes

## Finishes:

- CP Polished Chrome
- BP Polished Brass
- SN Brushed Nickel
- PN Polished Nickel
- ORB Oil Rubbed Bronze

## #5599 Leg Tub Drain



Dimensions and specifications subject to change without notice.