

60" ALMA KITCHEN SINK

Cat. No.
KSCI60



Length: 59"
Width: (front of sink to back) 20-7/8"
Height: 18-1/8"

Features:

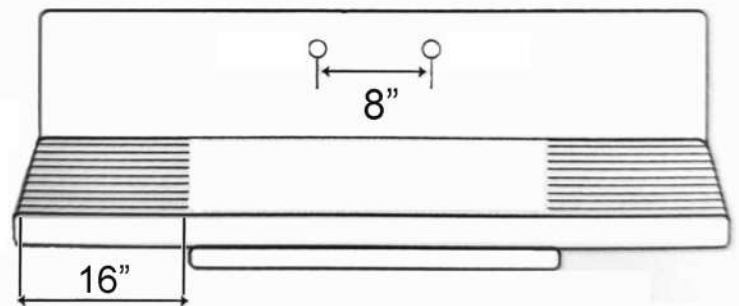
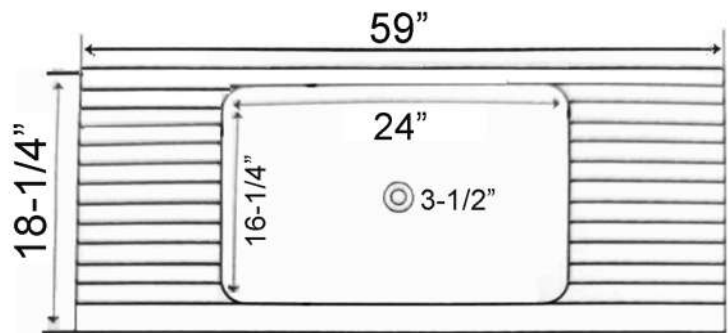
- ▶ Constructed of cast iron with enamel coating
- ▶ Built-in drain board on each side
- ▶ No overflow
- ▶ Faucet centers 8" widespread
- ▶ Can be used with cast iron legs (KCI60-WH-LEGS not included)
- ▶ Mounts to wall
- ▶ Hangers are included
- ▶ Includes tabs that slide into brackets
- ▶ Accommodates 3-1/2" drain
- ▶ Drain board 16-7/8" L X 16" W

Colors:

WH White

Interior Dimensions:

Basin Interior: 24" L X 16-1/4" W
Basin Depth: 8-1/4"
Faucet hole: 1-3/8"



Dimensions of fixture are nominal and may vary within the range of tolerances established.