

# 42" PANDAN 60/40 DOUBLE BOWL SINK

Cat. No  
FSCDB3568



W: 42"

D: 21-3/4"

H: 9-1/2"

**\*Please do NOT cut hole without  
template or actual product.**

## Interior Dimensions:

### Large

Basin Interior: 22-1/2" W x 18" D

### Small

Basin Interior: 15-5/8" W x 18" D

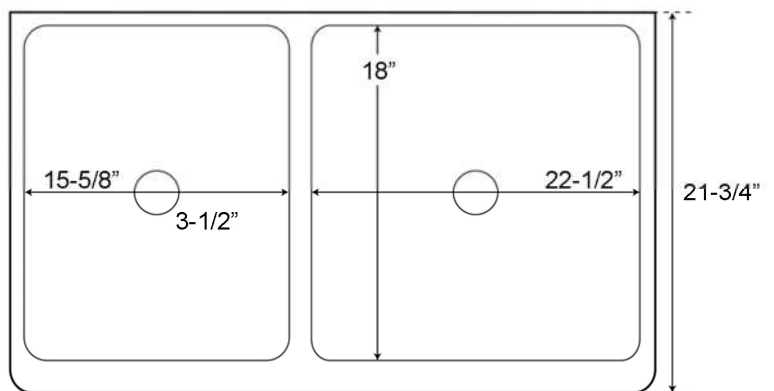
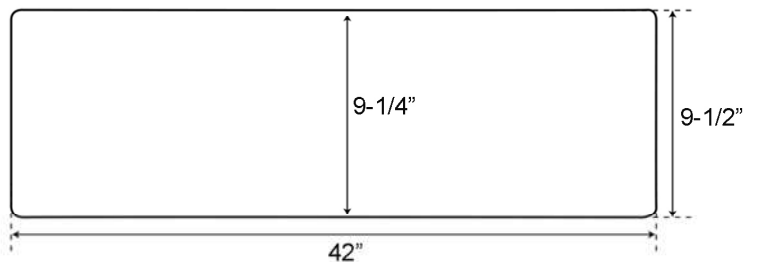
Basin depth: 9-1/4"

## Features:

- ▶ Constructed of solid 16 gauge copper
- ▶ Hammered sink
- ▶ Large bowl on left
- ▶ Rounded interior corners easy for cleaning
- ▶ Sink bowl has no internal welds
- ▶ Sink bottom angled to drainage
- ▶ Accommodates 3-1/2" drain
- ▶ 2-3/8" Front rim, 1-1/4" middle rim, and 1-3/8" back and side rims
- ▶ Patina applied to copper using French hot process
- ▶ Hand polished finish
- ▶ Copper is a living finish and will patina over time

## Finish:

**AC** Antique Copper



Dimensions of fixture are nominal and may vary within the range of tolerances established by ANSI Standard A112.19.2. Dimensions and specifications subject to change without notice.